

KG SNK EF C

KINGSBURY Tap Range

Kingsbury Easyfit Sink Mixer Chrome



Specification

Product Type:	Kitchen Tap
Main Construction Material:	Brass
Mount Type:	Deck Mounted
Handle Type:	Crosshead Handles
Connection Inlet:	1/2" BSP Flexible Tails
Connection Outlet:	M24 Anti-splash
Number of Tap Holes:	1
Valve/Cartridge Type:	1/2" Compression Valve
Plumbing System Requirements:	Suitable for all plumbing systems
Minimum Dynamic Pressure:	0.2 Bar
Maximum Dynamic Pressure:	5.0 Bar
Maximum Hot Water Temperature: °C	60
Maximum Static Pressure: (bar)	10
Flow Type:	Dual Flow
Isolation Included:	Yes

Features:

- Metal fixing nut for added durability
- Easyfit base included
- Flexible tails included

Product Certifications:



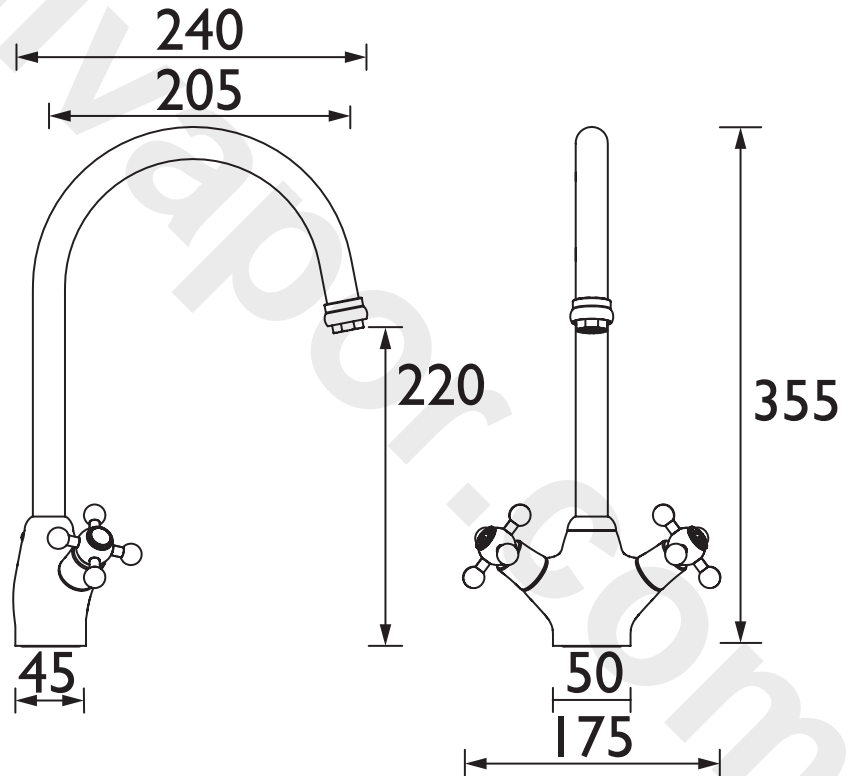
WRAS Cert. Number: 2006908
WRAS Expiry Date: 30/06/2025



For more products, visit our website:
<http://www.bristan.com>



Dimensions (measurements in mm)



Flow Rates (l/min)

System Pressure (bar)	0.2	0.5	1	2	3	5
KG SNK EF C	10.7	16.9	23.8	33.7	41.3	53.3

TECHNICAL DATA SHEET



BRISTAN

D8